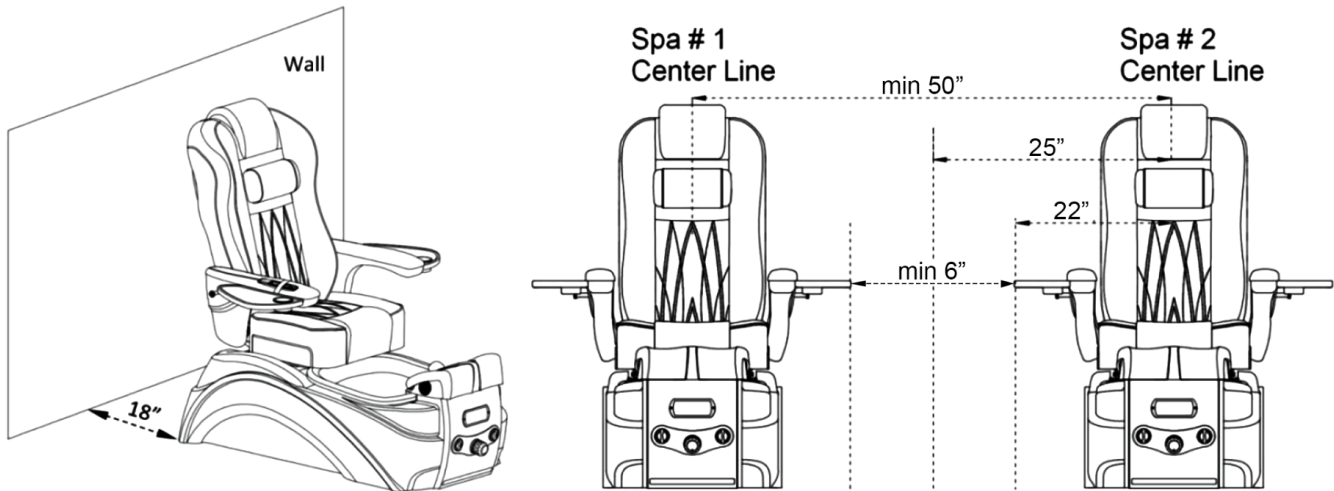


BEFORE PURCHASING YOUR PEDI-SPA, YOU NEED TO CONSIDER THE INFORMATION BELOW:

- **How many Spa-chairs will fit in your salon?**

The below figures show the minimum distance between spa chairs and from the wall to spa chairs.

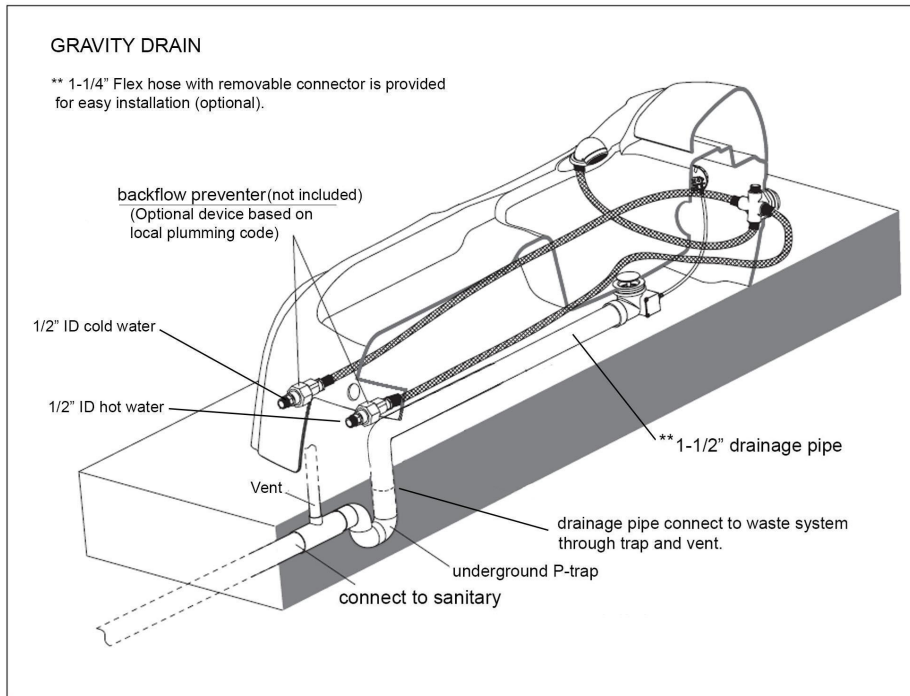


VERY IMPORTANT: Both the back of the chair and seat are adjustable. When the seat is at a maximum incline, one must allow 18"(44cm) from the back wall to the foot spa. This minimum distance assures an unobstructed recline. Failure to follow this required dimension might damage your spa components and plumbing connections, which will void your warranty.

- **What type of drainage system is in your salon: Gravity drain vs Power drain**

NOTE: The drainage and water supply system installation requires a licensed plumber. Detailed instructions can be found in the manual book. Instructions and local plumbing codes need to be carefully compiled to pass the city inspections. If you are unsure about your drainage system, consult a plumber or call our customer service at (888) 479-6916 before purchasing.

1. Gravity drain: drainage is located on the floor. The installation diagram is as below:



2. Power Drain: drainage is above the floor level. The installation diagram is as below:

