



Lexor®

THE KEY TO SALON SUCCESS

LIBERTE /LUMINOUS PEDICURE SPA USER MANUAL

RECEIVING AND INSPECTION: If missing parts or damages are found, please notify the carrier at once and insist on a notation of the damage on the bill of lading. DO NOT DISCARD THE SHIPPING BOX. If you give the carrier a clear receipt for goods that have been damaged in transit, you do so at your own risk and expense.

Table of Contents

Identifying Parts for Liberte® Model	1
Identifying Parts for Luminous® Model	2
WALL CLEARANCE & SPA to SPA RECOMMENDED CLEARANCE	3
INSTALLATION OF PEDICURE SPA SEAT	3
INSTALLATION OF PLUMBING SYSTEM	5
INSTALLATION OF VENTILATION SYSTEM (OPTIONAL)	8
ELECTRICAL AND PEDICURE SPA COMPONENT SPECIFICATIONS	9
PRE-OPERATIONAL SETUP	10
OPERATE Auto-Fill™/Jet Switch :	12
OPERATE DIGITAL CONTROL PANEL :	13
RESET WATER SENSOR AND WATER LEVEL	14
MESSAGE SYSTEM & REMOTE CONTROLLER	15

- WARNING:** 1. This Product is for indoor use only & is not recommended for use on Carpet or Wood floor
2. This Product must be connected to a circuit outlet protected by a Class A GFCI
3. DO NOT USE if you have poor circulation, or if any area of your feet or legs has an open sore
4. Maximum temperature of the water should never exceed 100 degrees F.
5. DO NOT STEP/ STAND IN THE FOOT BASIN.
6. NEVER bring and/or operate any electrical devices in or near the Pedicure Spa.
7. Maximum load in the spa chair is 250lbs (114kg).



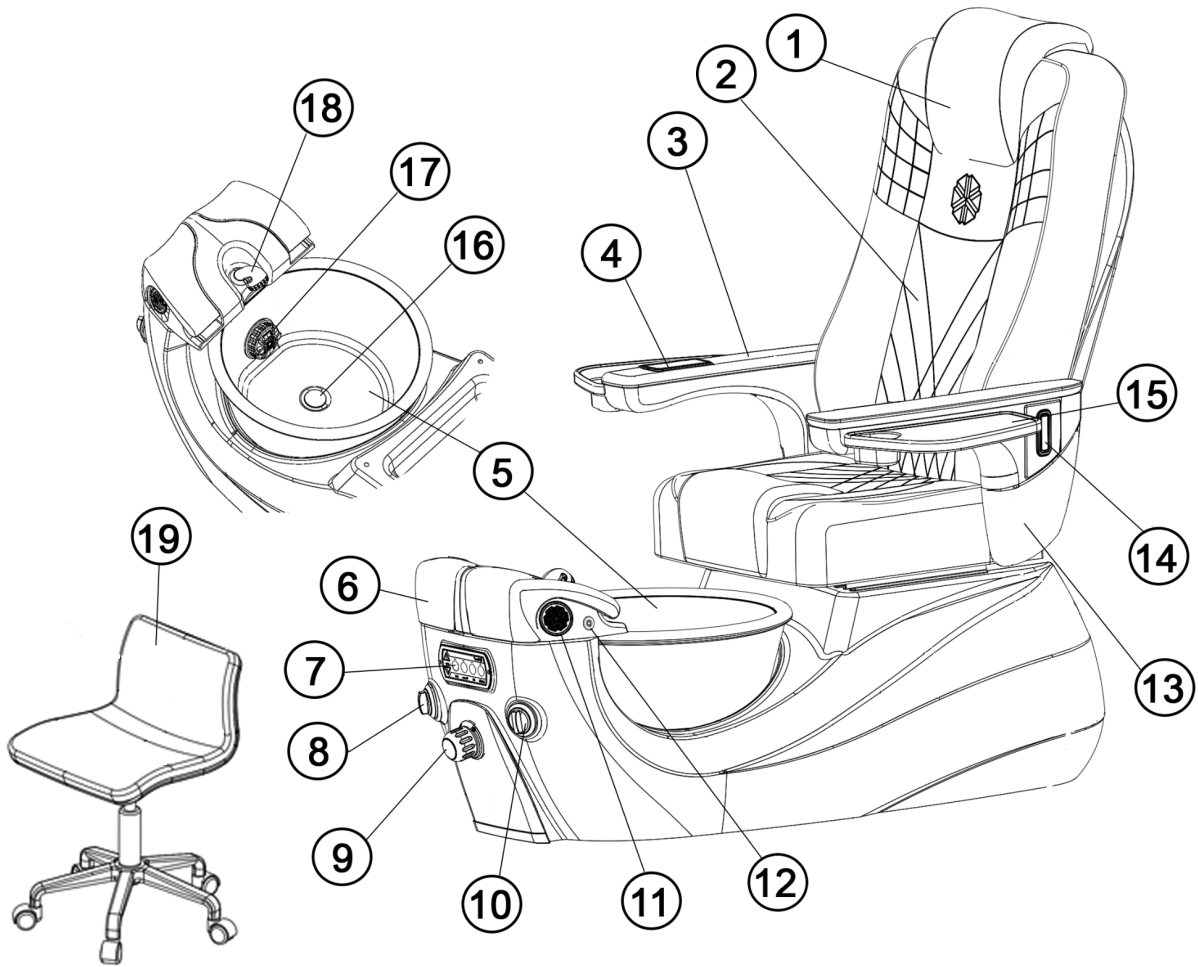
PROPER INSTALLATION ACCORDING TO THIS MANUAL IS REQUIRED. FAILURE TO DO SO MAY RESULT IN SERIOUS INJURY AND/OR WARRANTY WILL BE NULL. YOU MUST HAVE A LICENSED PLUMBER TO CONNECT THE SPA AND WATER SYSTEM IN PLACE SAFELY.

STATES' NOTICE

In the commonwealth of most states, all pedicure spas installed for Commercial usage are required to have a backflow preventer at the salon's cost. This device shall be installed between the water inlet hose and the spout.

PLEASE SAVE THESE INSTRUCTIONS FOR FUTURE REFERENCE

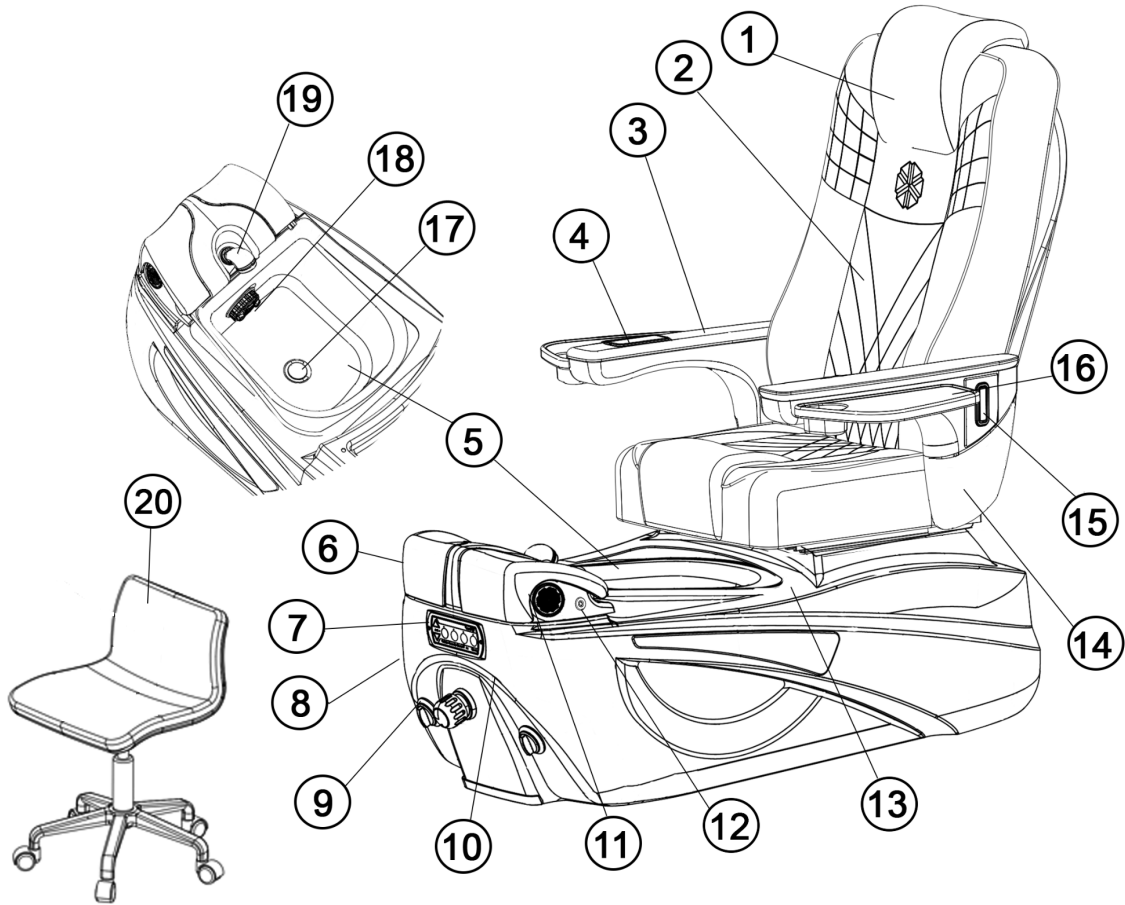
Identifying Parts for Liberte® Model



Pedicure Spa with Massage System

- | | |
|---|--------------------------------|
| 1. Headrest | 11. Ventilation Inlet |
| 2. Chair Cushion with Massage | 12. Air-Jet Connector |
| 3. Armrest Cushion | 13. Up/Down Armrest |
| 4. Massage Remot control | 14. Purse Hook |
| 5. Aurora Bowl | 15. Manicure Tray |
| 6. Footrest with Calf Support | 16. Drain Stopper |
| 7. Digital Automated System | 17. ECOJET™ Magnetic Drive |
| 8. Dual Function Auto-Fill™ & Jet On/Off Knob * | 18. Hand Spray Spout |
| 9. Hot/Cold Water Mix Valve | 19. Low Profile Pedicure Stool |
| 10. Drain Switch | |

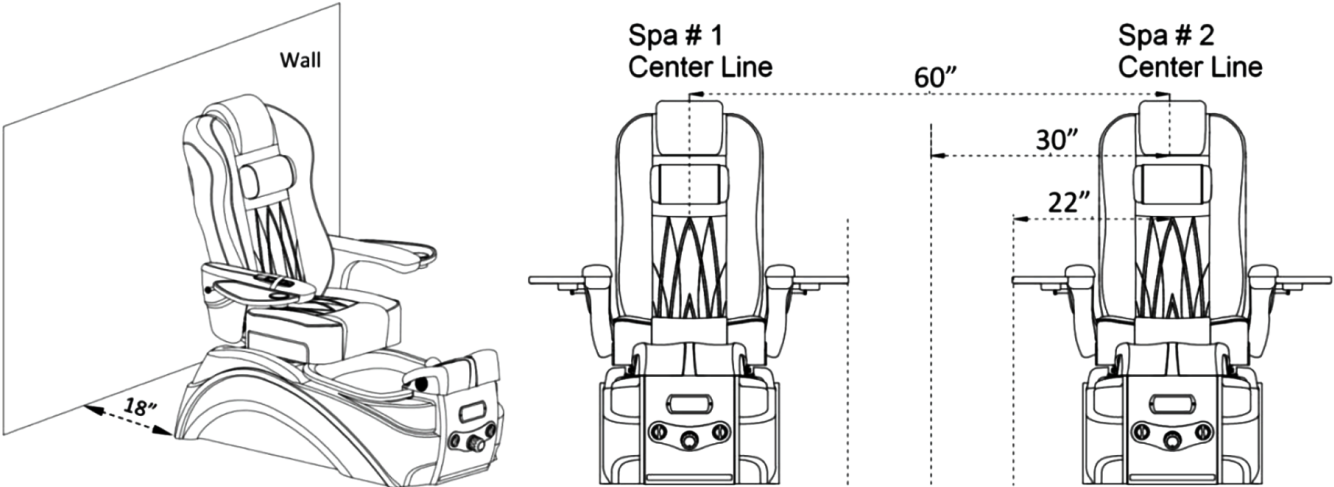
Identifying Parts for Luminous® Model



Pedicure Spa with Massage System

- | | |
|---|--------------------------------|
| 1. Headrest | 11. Ventilation Inlet |
| 2. Chair Cushion with Massage | 12. Air-Jet Connector |
| 3. Armrest Cushion | 13. Liner Hooks |
| 4. Massage Remot control | 14. Up/Down Armrest |
| 5. Aurora Bowl | 15. Purse Hook |
| 6. Footrest with Calf Support | 16. Manicure Tray |
| 7. Digital Automated System | 17. Drain Stopper |
| 8. Dual Function Auto-Fill™ & Jet On/Off Knob * | 18. ECOJET™ Magnetic Drive |
| 9. Hot/Cold Water Mix Valve | 19. Hand Spray Spout |
| 10. Drain Switch | 20. Low Profile Pedicure Stool |

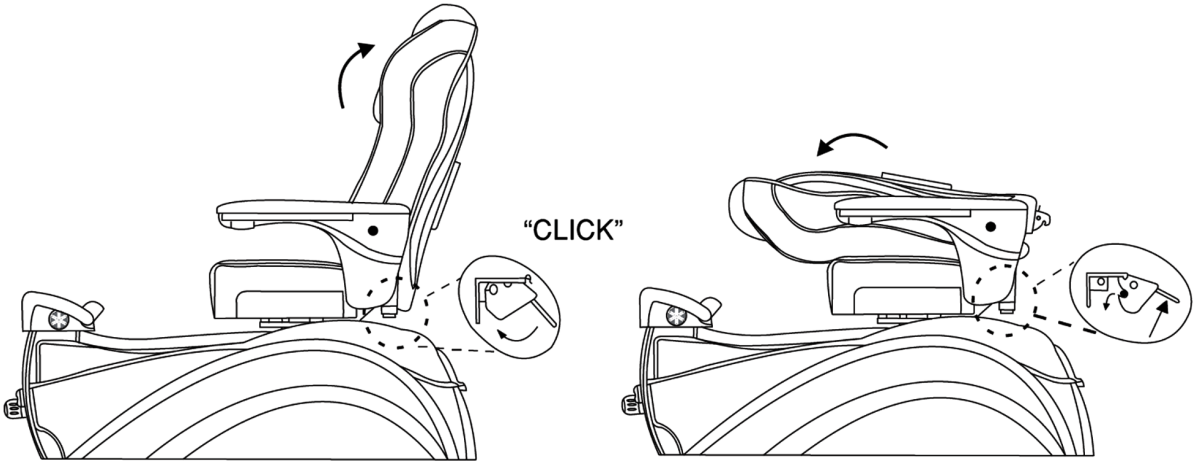
WALL CLEARANCE & SPA to SPA RECOMMENDED CLEARANCE



VERY IMPORTANT: Both the back of the chair and seat are adjustable. When the seat is at a maximum incline, one must allow 18"(44cm) from the back wall to the foot spa. This minimum distance assures an unobstructed recline. Failure to follow this required dimension might damage your spa components and plumbing connections, which will void your warranty.

INSTALLATION OF PEDICURE SPA SEAT

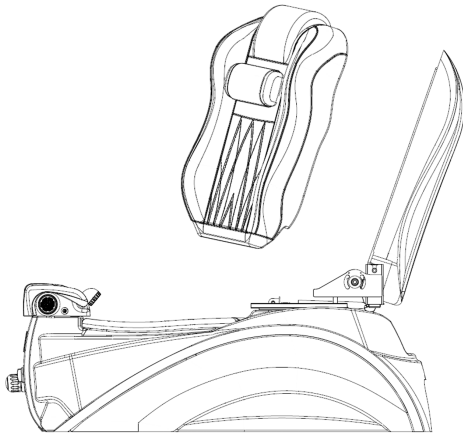
1. FOLD & UNFOLD BACK-REST MASSAGE



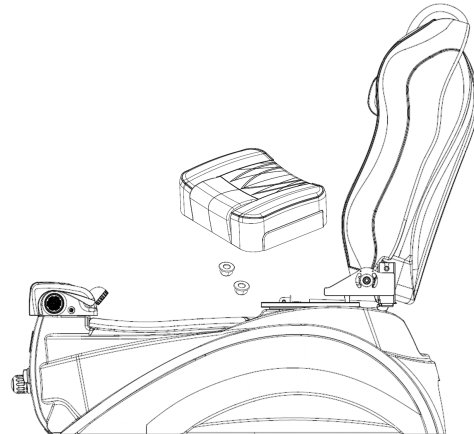
Raise the backrest until a "click" is heard. Make sure the lever is locked before operating

To fold down the backrest: Lift up lever handle and push the backrest downward

2. ASSEMBLE THE BACK AND SEAT CUSHION

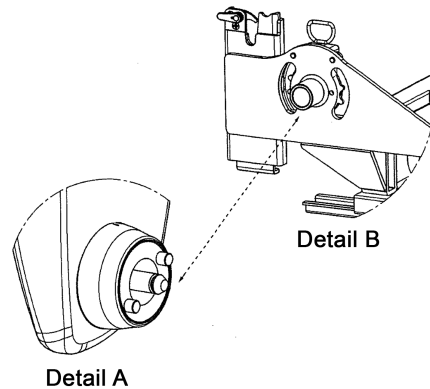
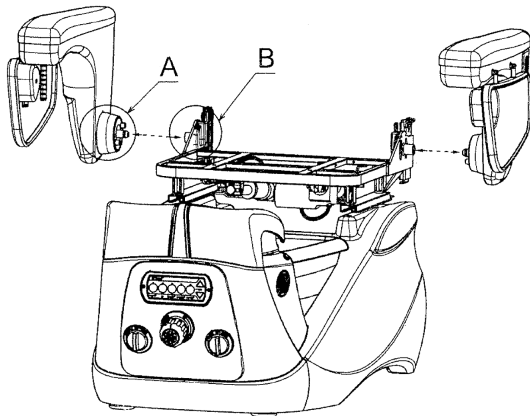


Align the back cushion to fit on the back shell. Push the cushion firmly onto the VELCRO straps.

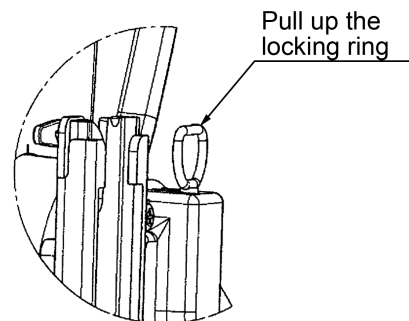
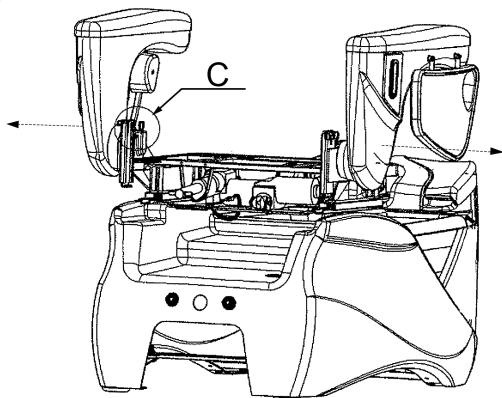


Align the screws to the holes on the seat frame. Put the seat cushion onto the frame. Then use the provided screws to secure the seat.

3. ASSEMBLE THE ARM-RESTS



1) To install the armrest
Position the armrest horizontally as shown above. Align the rods and the notches as shown in Detail A and B. Fully snap-in the armrest until hearing a "click" sound.

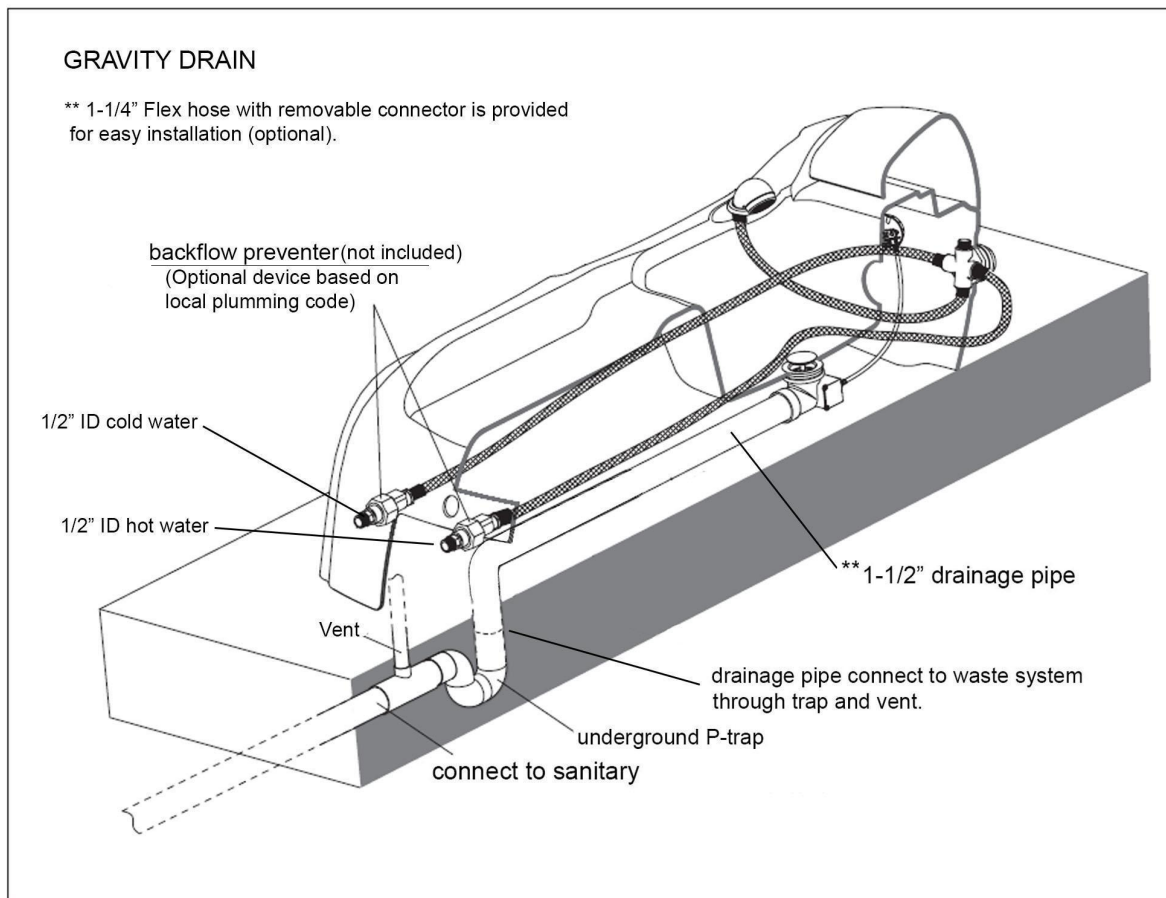


2) To remove the armrest
Pull up the locking ring as shown in figure and Detail C, then pull out the armrest.

INSTALLATION OF PLUMBING SYSTEM

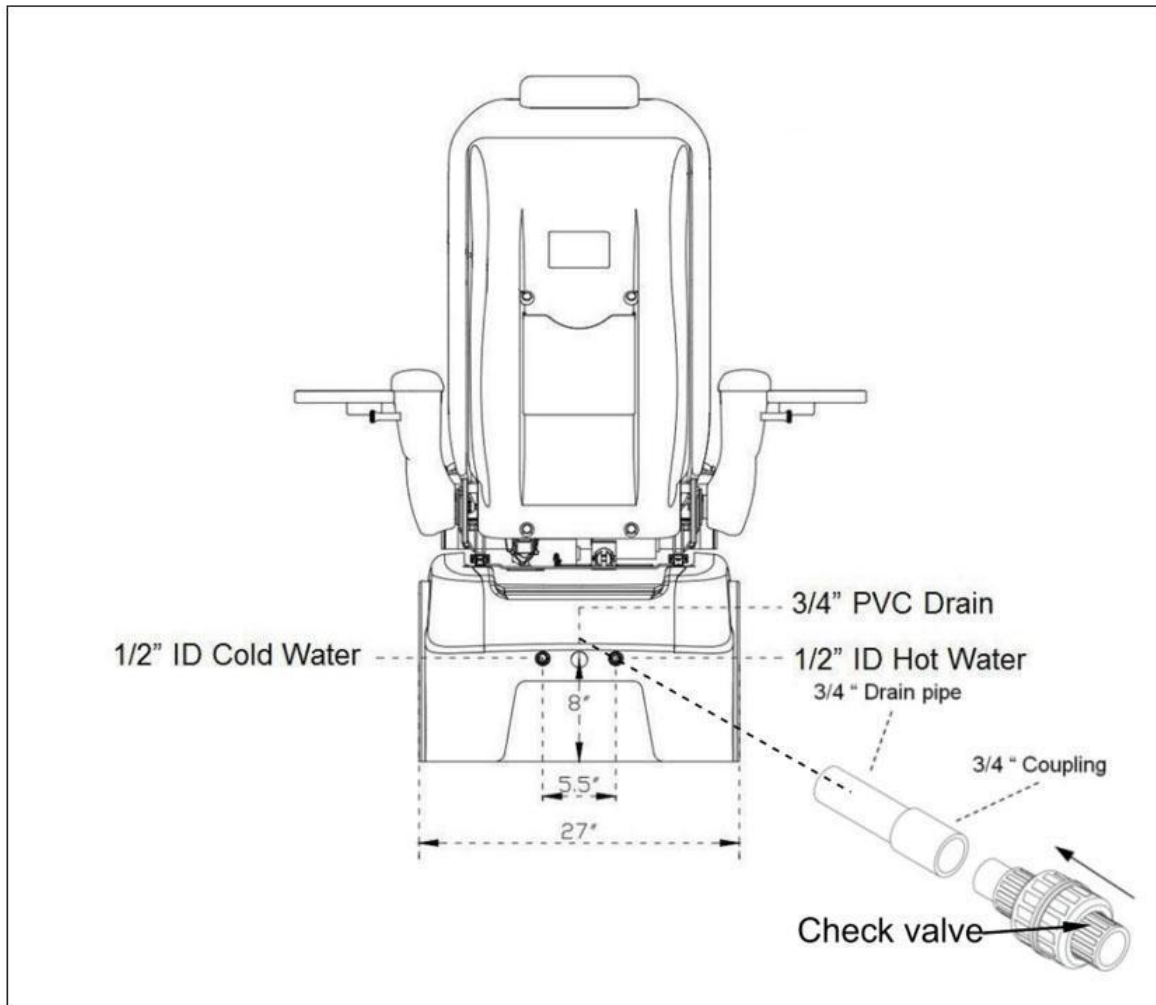
NOTE: The drainage and water supply system installation requires a licensed plumber. Detailed instructions can be found in the manual book. Instructions and local plumbing codes need to be carefully compiled to pass the city inspections.

1. GRAVITY DRAIN



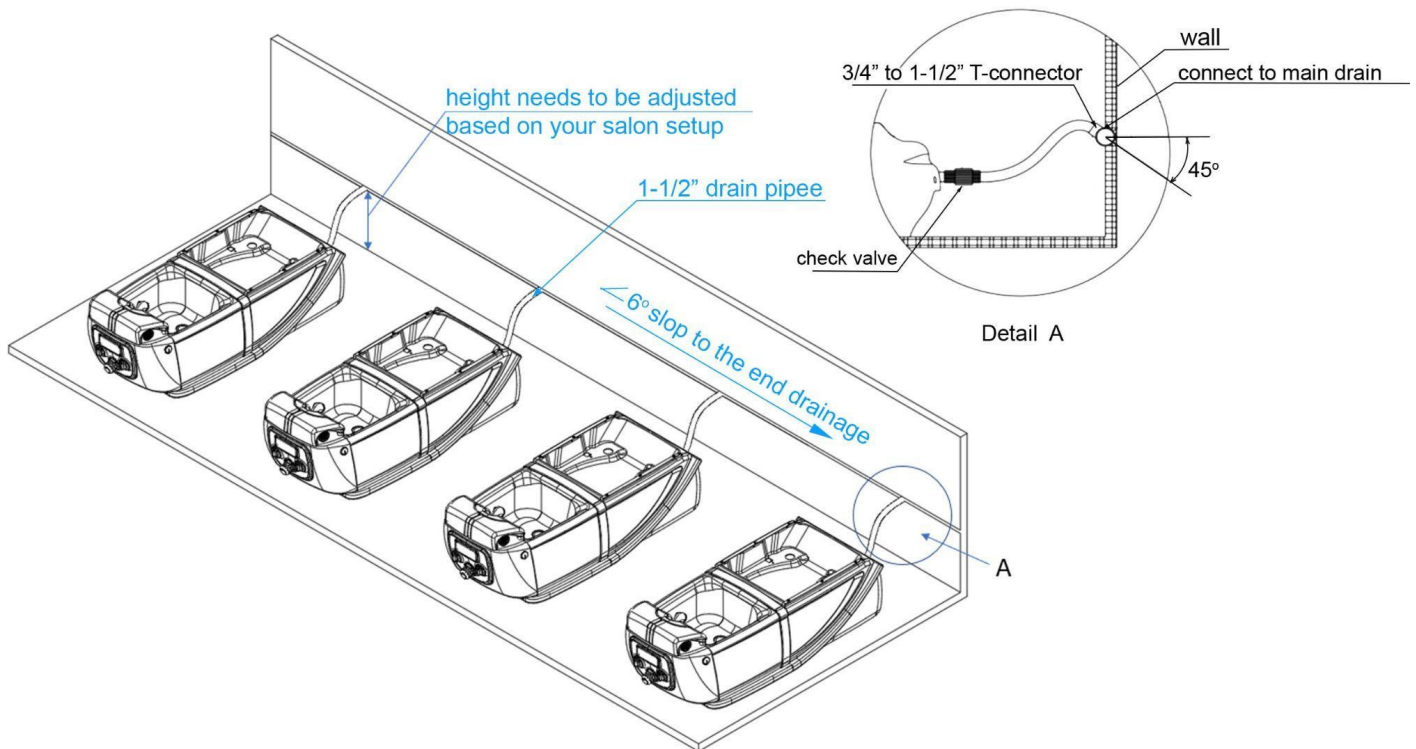
- 1) The gravity drainage installation should comply with SECTION 701.0, 2018 UPC.
- 2) Trap, vent, and connectors should comply with SECTION 1001.1 and 1001.2 UPC.
- 3) An alternative code needs to be complied with by the states not adopting UPC.
 - a) Drainage system: SECTION 701.2 and 702.2 IPC (or local plumbing code)
 - b) Trap, vent, and connectors: SECTION 1002.1 and 1002.2 IPC (or local plumbing code)
- 4) The installer/plumber is responsible for obtaining and complying with the local plumbing code for inspection. If any assistance is required from the vendor's side, please contact our customer service.

2. POWER DRAIN



- 1) The power drainage installation should comply with SECTION 807.1, 2018 UPC.
- 2) Trap, vent, and connectors should comply with SECTION 1001.1 and 1001.2 UPC.
- 3) An alternative code needs to be complied with by the states not adopting UPC.
 - a) Drainage system: SECTION 701.2 and 702.2 IPC (or local plumbing code)
 - b) Trap, vent, and connectors: SECTION 1002.1 and 1002.2 IPC (or local plumbing code)
- 4) The installer/plumber is responsible for obtaining and complying with the local plumbing code for inspection. If any assistance is required from the vendor's side, please contact our customer service.

3. DRAIN SYSTEM RECOMMENDATION



4. HOT/CODE WATER SUPPLY SYSTEM

NOTE: The drainage and water supply system installation requires a licensed plumber. Detailed instructions can be found in the manual book. Instructions and local plumbing codes need to be carefully compiled to pass the city inspections.

New constructions: drain a good amount of water in a bucket to remove all debris from the new hot/cold water pipes before connecting to new SPA chairs (figure 1).

Replacement Spas: Make sure to use new hot/cold water hoses to replace old ones before installing a new Spa chair. The old debris, rubber, or plastic chips could clog the water inlet system.

** Failure to do so will validate the warranty.

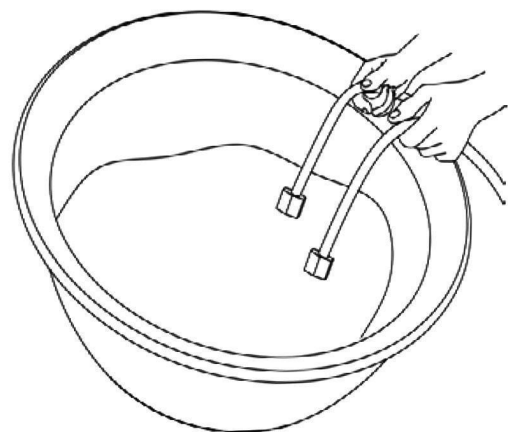
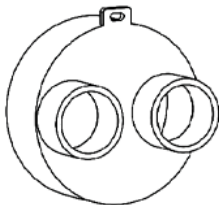


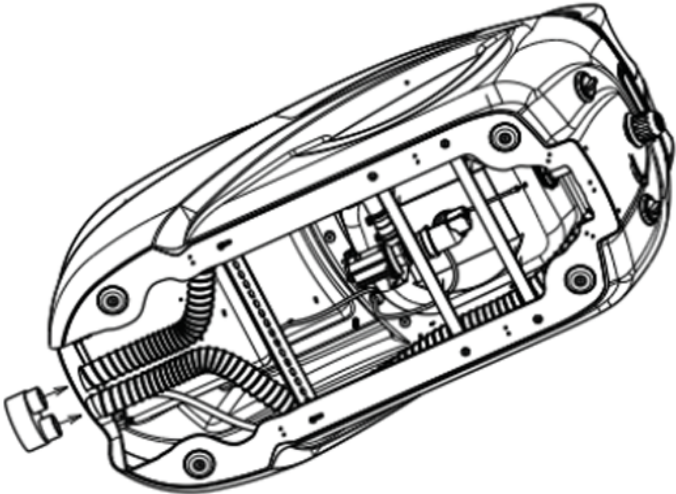
Figure 1. Drain water to remove debris before installing new spa chair.

INSTALLATION OF VENTILATION SYSTEM (OPTIONAL)

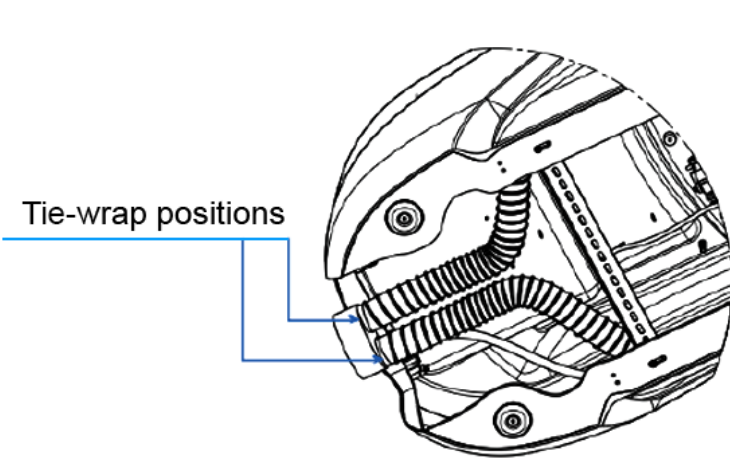
(The Spa comes with a preinstalled ventilation system because it is required by some state regulations. Please contact your state department for the requirements and regulations)



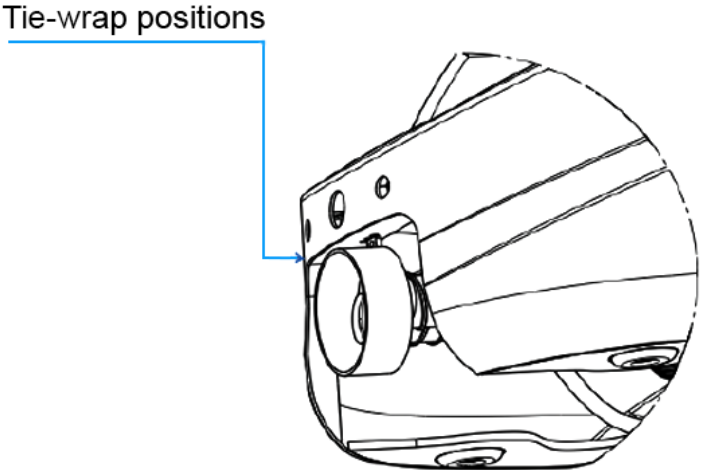
Note: Make sure the mounting hole is positioned upward before installing to the Air-vent hoses



Step 1: Connect the two Air-vent hoses to the connector




Step 2: Use provided tie-wraps to secure the hoses on the connector.



Step 3: Tie-wrap the connector to the Spa Base.

ELECTRICAL AND PEDICURE SPA COMPONENT SPECIFICATIONS

All electrical connections MUST be made by a licensed electrician following Local & National Electrical and Building Codes.

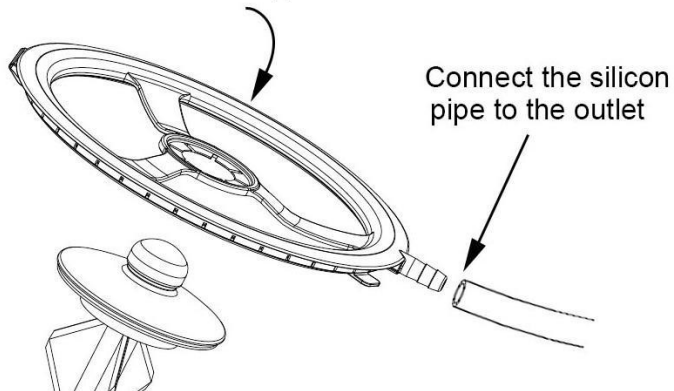
	<p>WARNING:</p> <p>IT IS EXTREMELY IMPORTANT THAT THE FOOT SPA OPERATES WITH GFCI PROTECTION</p> <p>A 110V-50/60Hz 15 Amp GFCI MUST BE UTILIZED</p>
---	--

SPECIFICATIONS LIST OF ELITE SPA CHAIR	
Liberte Spa chair	Spa(seat up-right): L=53”(134cm) W=31”(79cm) w/ Tray =47”(120cm) H=56”(142cm)
Spa Dimensions & Weights	Spa(fully reclined): L=68”(172cm) Net Weight: ~ 200 lbs. Shipping Weight: ~ 230 lbs. Max. Handling Load: ~ 220 lbs.
Luminous Spa chair	Spa(seat up-right): L=56”(142cm) W=31”(79cm) w/ Tray =47”(120cm) H=56”(142cm)
Spa Dimensions & Weights	Spa(fully reclined): L=78”(198cm) Net Weight: ~ 230 lbs. Shipping Weight: ~ 260 lbs. Max. Handling Load: ~ 250 lbs.
Adjustable Stool	Pedicure Stool: 12” – 13” Manicure Stool: 16.25” – 20”
Spa Water Capacity	~ 4 US Gallon
Jet Motor	120 VAC. At 85W 60Hz
Massage, Motors, Seat Sliding & Reclining	24VDC, 60W
Discharge Pump	Motor – 120V at 85W 60 Hz Maximum vertical lift: 3ft. Flow rate 400 GPH @ floor level
Power source	115 VAC, 60HZ, 15A. The power needed per spa chair = 9 Amp
Electrical Switches	One (1) electro-mechanical knob for the Whirlpool rated at 5A contacts. One (1) electro-mechanical knob for the Drain. Rated at 5A contact.
Safety	Pedicure Spa is UL Listed.

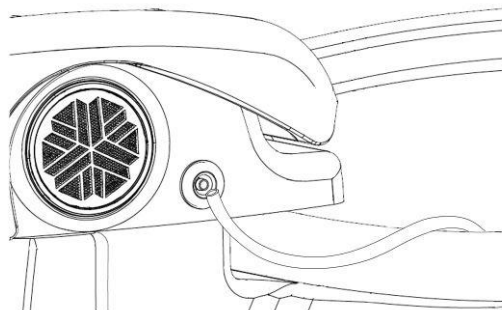
PRE-OPERATIONAL SETUP

1. SETUP THE Air-Jet

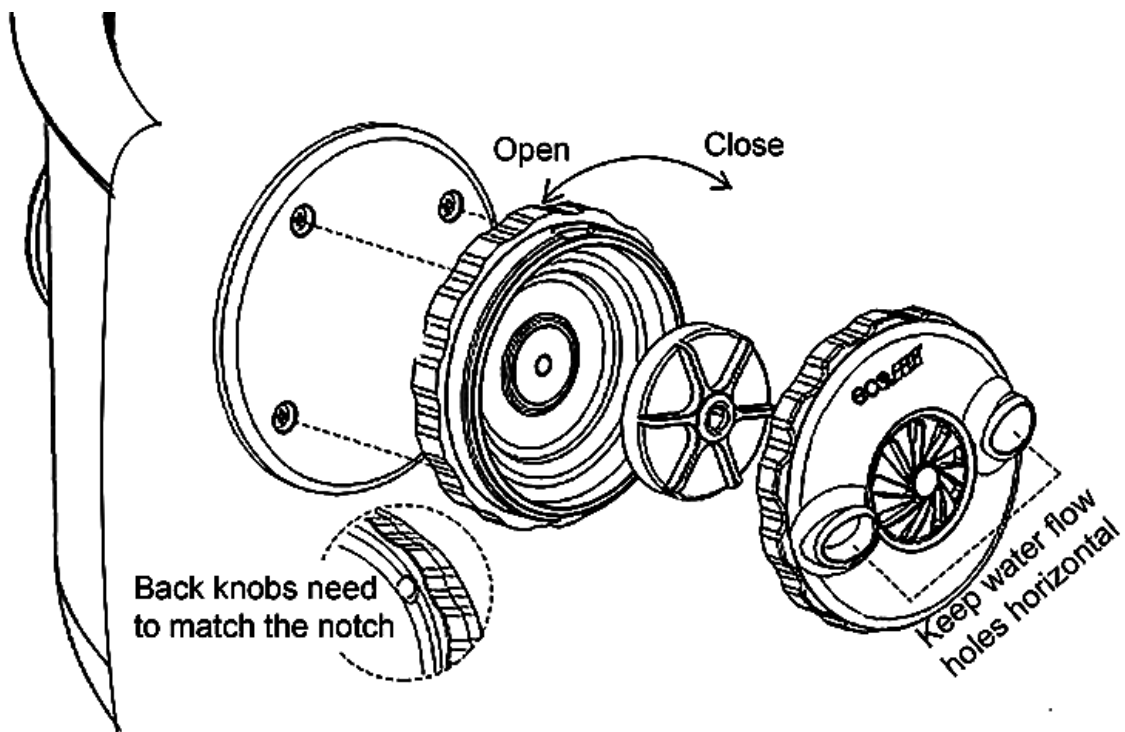
Clip the Air-ring onto the drainstopper

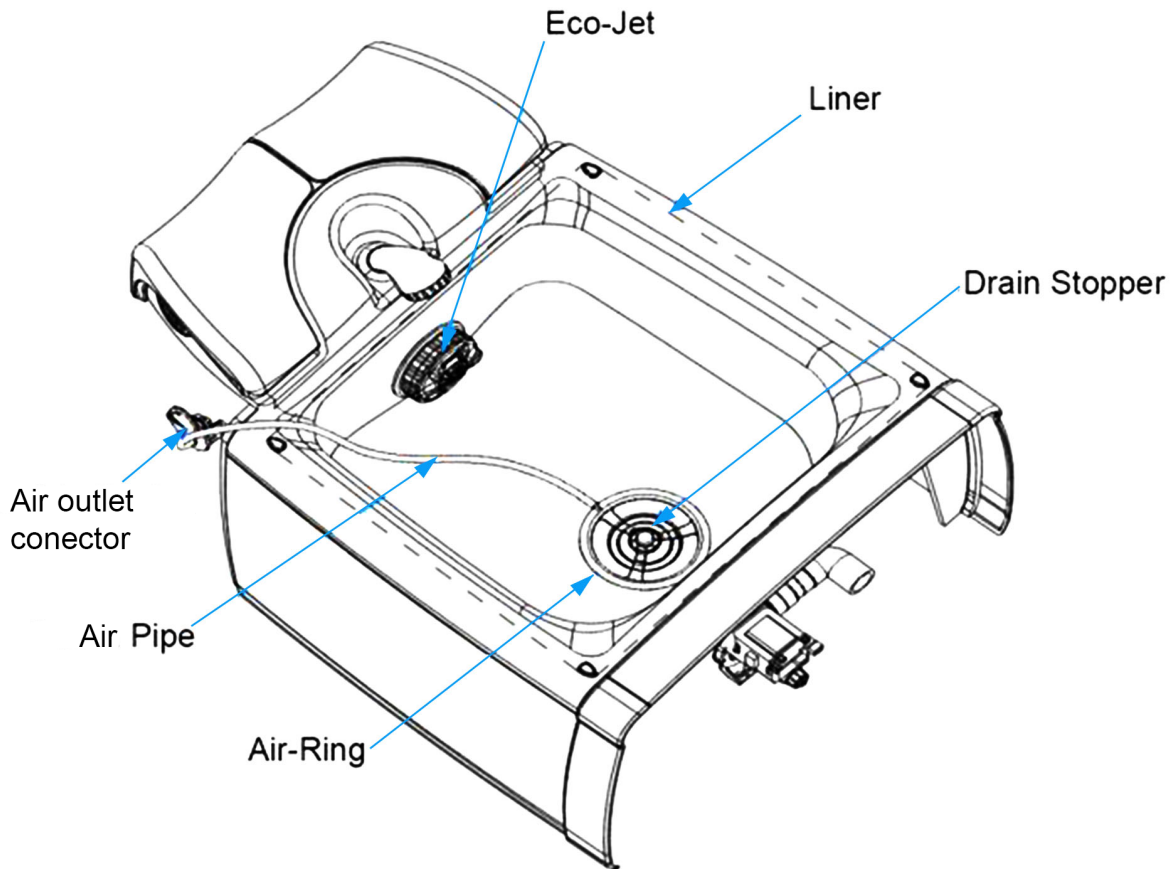


plug the other end of the pipe to the connector



2. SETUP THE Eco-Jet

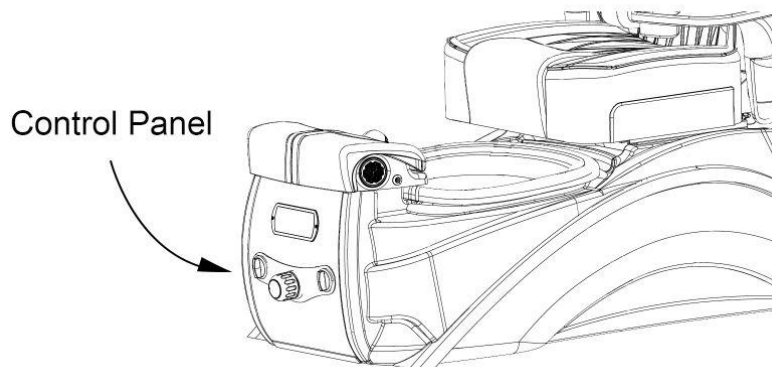




The system should be set as the picture above before each service section.

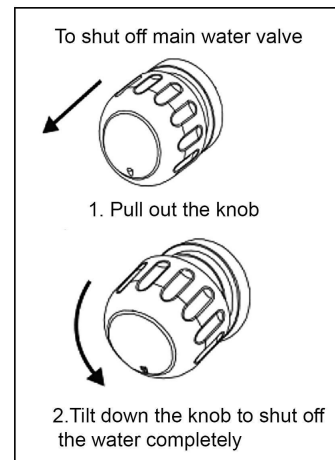
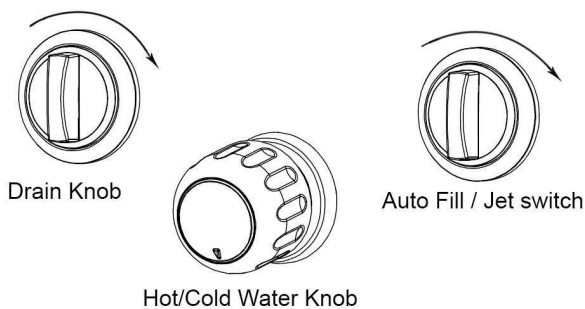
Note: to assure the safety of the operator, if the silicon pipe is not connected or accidentally popped out from the connector, the safety device will shut off the steam and cut the steam supply.

OPERATE Auto-Fill™/Jet Switch :



purchases

Locate the control panel at the front of the spa base. Follow the instructions below to operate the



pedicure spa.

- Twist Auto-Fill/Jet switch clockwise then release to start auto-fill. Water will automatically shut off when it reaches the preset water level.
- To manually stop Auto-Fill water filling, twist the Auto-Fill/Jet switch clockwise again.
- Twist drain knob clockwise to start draining. Twist it back when the draining is done.
- Use “Hot/Cold water knob” to manually adjust the water temperature.
- To shut off the main water valve, follow the instructions on the right.

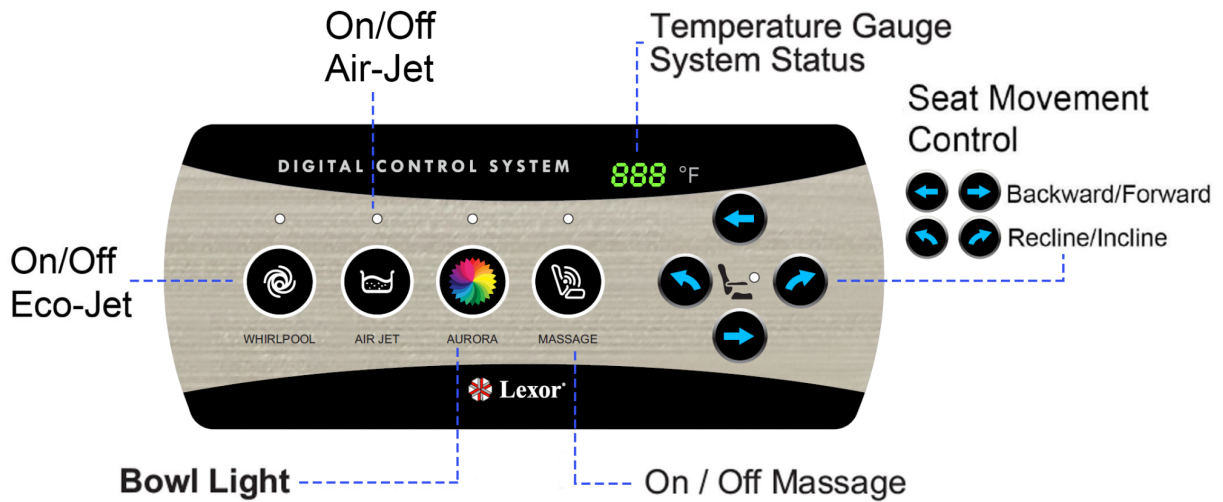
***** Water control knob is on by default. It should be shut down at the end of the day or unattended to prevent water damage risks.**



Function works when water level meets requirement, otherwise the screen will “dry”, jet won’t turn on.

- By default, Eco-Jet automatically turns on when the water level is up. To turn off the Eco-Jet manually, click the “Whirlpool button” on the digital control panel.
- *** DO NOT DRAIN WATER WHEN ECO-JET IS RUNNING, OR THE DEVICE WILL BE BURNT OFF.**

OPERATE DIGITAL CONTROL PANEL :



- **Turn on:** click by hand (or by Autofill On)
- **Select color:** Click until satisfied (a loop of 8 color styles and the finish is off)
- **Turn off:** press & hold 2s (or turns off in select color loop | Autofill Off)

- The Blue/White LED light indicates the current working status.
- Eco-Jet action can cause small amounts of soap or body oil to foam excessively. For this reason, refrain from using these products during the whirlpool cycle.
- For safety reasons, the steam heat function is off by default. Press the button to turn it on.



WARNING:

DO NOT TURN "ON" THE ECO-JET UNLESS ADEQUATE WATER IS IN THE TUB, OR IT MAY DAMAGE THE JET AND CAUSE NOISE.

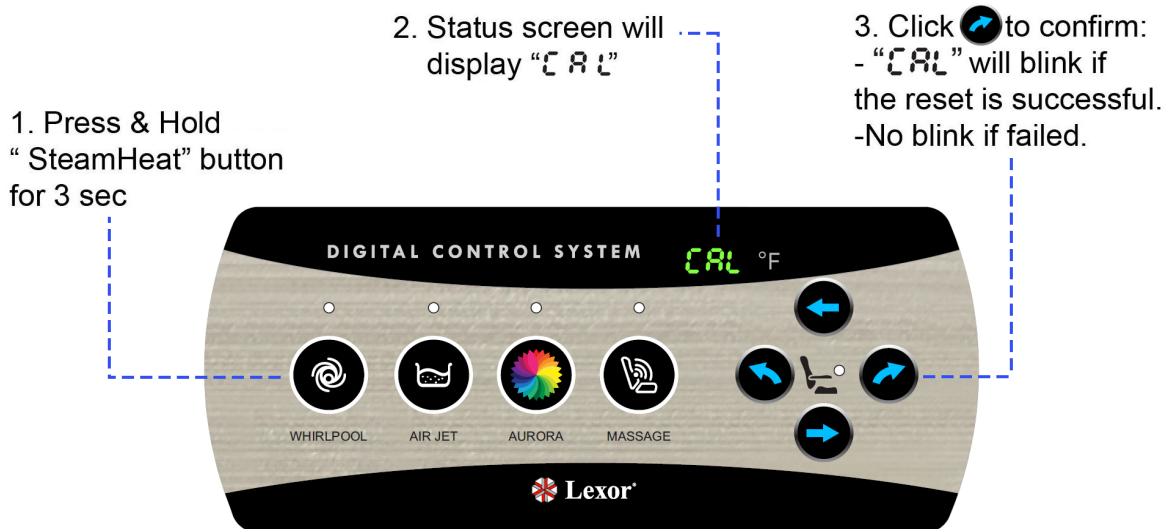


WARNING:

DO NOT TURN "ON" THE DRAIN PUMP UNLESS ADEQUATE WATER IS IN THE TUB. THE WARRANTY IS VOID IF THE PUMP WAS RUNNING DRY.

RESET WATER SENSOR AND WATER LEVEL

1. Reset the water sensor (Empty basin before activating this mode).



- A reset water sensor is required when the water level is out of range.

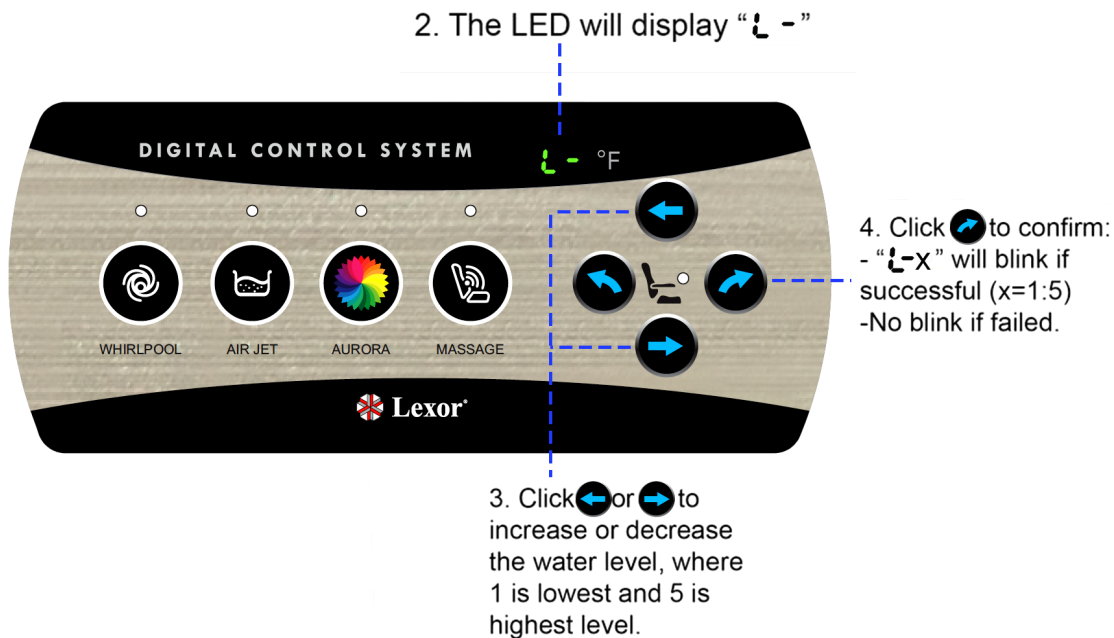
** Note :

- This will also reset the water level to default = 3.
- Click should be pressed slowly.
- Press and hold the SteamHeat Button for 3 sec to resume system operation or the system will be automatically resumed if no action is taken in 20 sec.

2. Adjust The Water Level For Auto-Fill (Empty basin before activating this mode).

1. Press & Hold for 3 sec. The LED will display "CAL"
Click until "Adj" appears on the screen

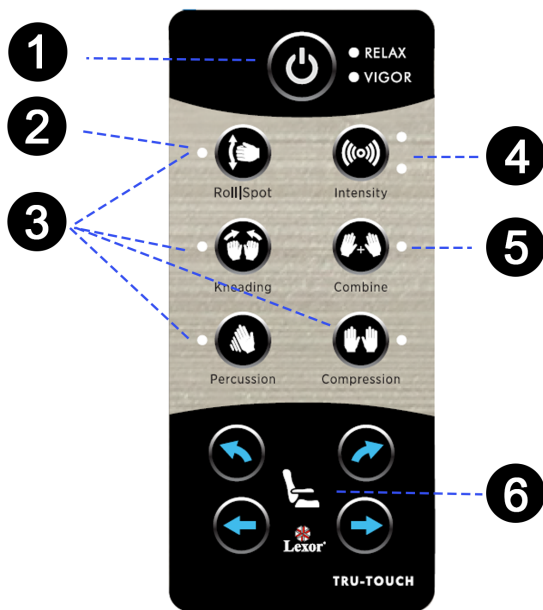




**** Note :**

- Click should be pressed slowly.
- Press and hold the SteamHeat Button for 3 sec to resume system operation or the system will be automatically resumed if no action is taken in 20 sec.

MESSAGE SYSTEM & REMOTE CONTROLLER



1. Press Auto Button to start Auto mode. Press again to turn off the message **Auto** and **Manual** mode will run for a duration of 20min.
2. Press Rolling/Spot to stop rolling up/down and stop at the desired spot.
3. Press any button (Rolling/Spot, Kneading, Tapping, Combine) to enter Manual mode
4. Press the Intensity button to select tapping intensity
5. Vibrate Button is an option. Pressing this button will start the vibration.
6. Press any chair button (Recline, Incline, Backward, Forward) to move the chair to desired positions.

**WARNING:**

YOU MUST ALWAYS REFER TO YOUR STATE OR LOCAL GUIDELINES FOR CLEANING REQUIREMENTS. OVERNIGHT SOAKING WITH OVERDOSED CHLORINE MAY DAMAGE RUBBER SEALS IN BASIN.

CLEANING PROCEDURE IS REQUIRED BY STATE BOARDS

*Note: *** A cleaning log should be kept with each pedicure spa ****

Each State will have slight differences in cleaning policies, please check with your state's Bureau of Barbering and Cosmetology or Regulatory Authority for specific details.

Safety Requirements for Pedicure Spas

The Bureau of Barbering and Cosmetology requires that salons using whirlpool pedicure foot spas must follow these disinfecting procedures to ensure proper cleaning and maintenance of the equipment and prevent bacterial or parasitic spread disease.

Violation of this section may result in an administrative fine and/or disciplinary action. Each foot spa that is not in compliance with this section may result in a separate violation.

NOTE: Authority cited: Section 7312, Business and Profession Code. Reference: Section 7312 (e), Business and Profession Code.

Below is a suggestion for your pedicure spa chair's cleaning procedure:

After Each Customer

1. All water shall be drained and all debris shall be removed from the spa basin.
2. The spa basin must be cleaned with soap or detergent and water
3. The spa basin must be disinfected with an EPA-registered disinfectant with demonstrated bactericidal, fungicidal, and virucidal activity, which must be used according to the manufacturer's instructions.
4. The spa basin must be wiped dry with a clean towel.

At the End of Each Day

1. The screen shall be removed, all debris trapped behind the screen shall be removed, and the screen and the inlet shall be washed with soap or detergent and water.
2. Before replacing the screen, the screen shall be immersed in an EPA-registered disinfectant with demonstrated bactericidal, fungicidal, and virucidal activity, which must be used according to the manufacturer's instructions.
3. The spa system shall be flushed with low sudsing soap and warm for at least 10 minutes, after which the spa shall be rinsed and drained.

At Least Once A Week

1. The spa basin shall be filled with warm water and 1 teaspoon of 5.25% bleach for each gallon of water, or a solution of Sodium Hypochlorite of approximately 50ppm used according to manufacturer's instructions.
2. The spa system shall be flushed with the bleach and water solution, or Sodium Hypochlorite solution, for 5-10 minutes and allowed to sit for 6-10 hours.
3. The spa system shall be drained and flushed with water before use upon a patron.



Lexor®

THE KEY TO SALON SUCCESS

Warranty Terms

2-Year Parts Exchange Limited Warranty:

All parts for pedi-spa model: Prestige, Envision, Elite, Mystique, Luminous, Infinity.

1-Year Parts Exchange Limited Warranty:

All parts for pedi-spa model: Versas, Liberte, Mani/Pedi Stools, and Customer Chairs.

Part Shipping Fee:

Shipping cost for the replacement part is covered under warranty. To continue the warranty, Salon owners have 15 days to return the defective parts to Lexor at the Salon owner's expense before the next service.

Limited Warranty Terms and Conditions:

Wear and tear, physical damage, abuse, misuse, accidental events, freight damaged Furniture lines are excluded.

Replacement parts are supplied with instructions and specially designed for simple installation, therefore do not require a technician onsite.

Phone support on Thanksgiving, Christmas, New Years', Chinese New Year's, and Independence Day are not available.

Shipping Damages:

Shipping damages must be claimed within 48 hrs after receiving the products. An investigation by the carrier can take up to 4-6 weeks to resolve.

Individual Parts Sold Warranty:

All parts purchased will be covered for a 90-Days limited warranty.

Complete Top Chair w/ Massage will be covered for 6-Months limited warranty.

Complete Spa Base with Plumbing installed will be covered for 6-Months limited warranty.

Warranty Disclaimer:

Lexor shall have no obligation to repair, replace, or refund until the verification process by Lexor is completed. Lexor's limited warranty applies only to Lexor Pedicure Spas utilized in the United States. This limited warranty is not transferable. Furthermore, this limited warranty is void if removed from its place of initial shipment.

LEXOR

14800 GOLDENWEST STREET, WESTMINSTER, CA 92683, USA

TEL: (800) 559-3630 FAX: (714) 754-9700

Website: www.Lexor.com